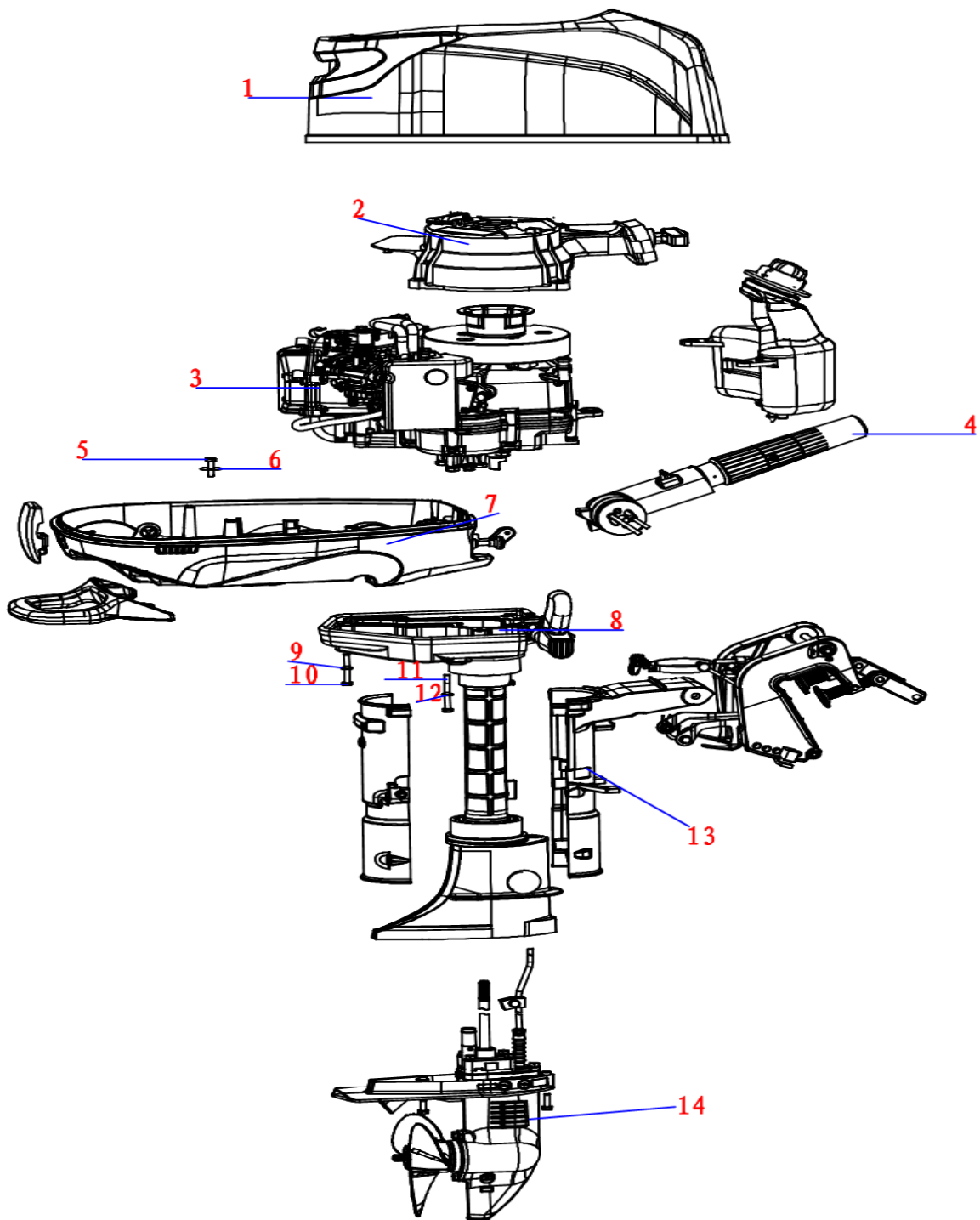


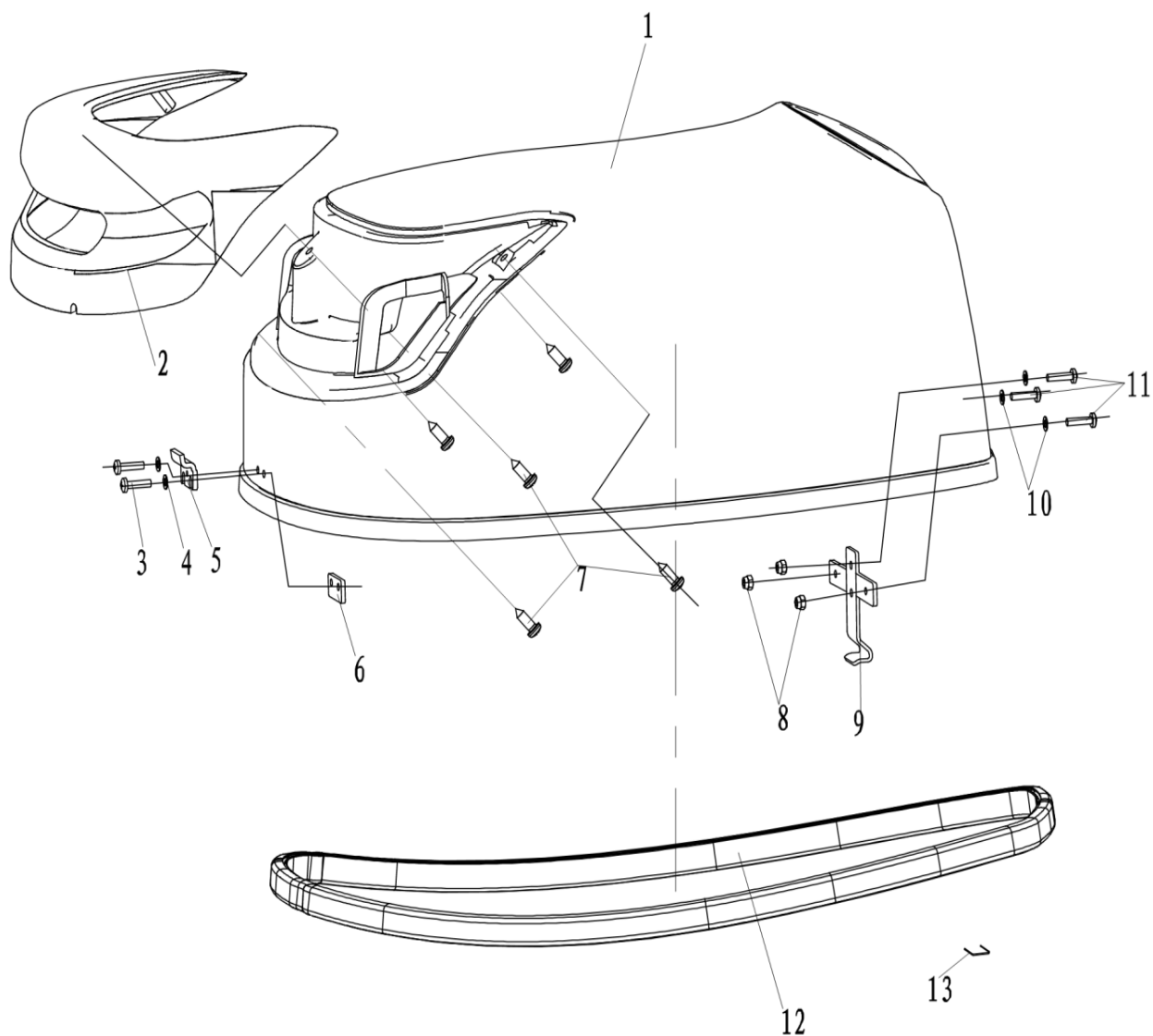


Мотор лодочный Marine Rocket MRF6H (139 см³)



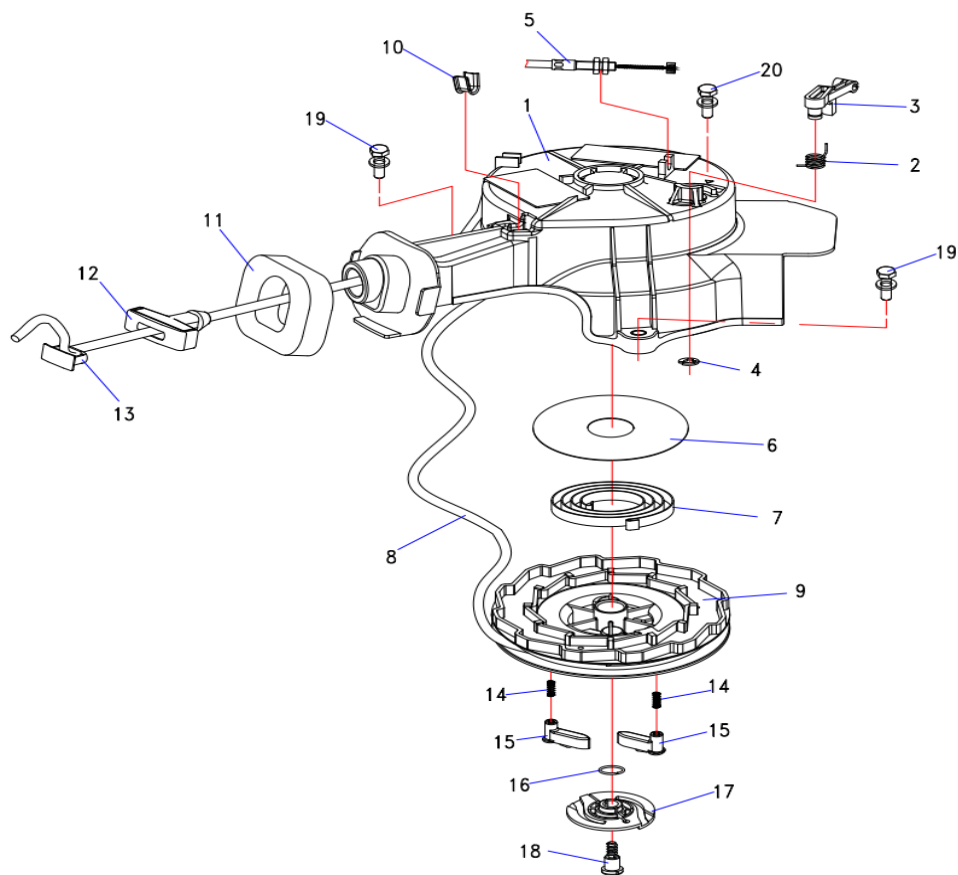
1. Узлы и блоки

NO.	КОД MR	КОД OEM	НАИМЕНОВАНИЕ	ШТ	УПАКОВКА	YAMAHA
1		F6-07.00.00.00	Top cowling assy.	1		
2		F6-01.01.00.00	Starter cover assy.	1		
3		F6-01.05.00.00	Power system	1		
4		F6-04.00.00.00	Tiller assy	2		
5	MR0104015BAG	GB/T5783	Hex Head Bolt M6*35	4	10	
6	MR0104175BAG	GB/T5287	Flat gasket 6	4	10	
7		F6-02.00.00.00	Bottom cowling assy	1		
8		F6-05.00.00.00	Upper casing	1		
9	MR0104016BAG	GB/T5782	Bolt	5	10	
10	MR0104171BAG	GB/T97.1	Flat gasket	5	10	
11	MR01040170BAG	GB/T5782	Bolt	4	10	
12	MR0104171BAG	GB/T97.1	Flat gasket	4	10	
13		F4-03.01.00	Bracket & swivel assy	1		
14		F6-05.00.00.00	Lower casing assy	1		



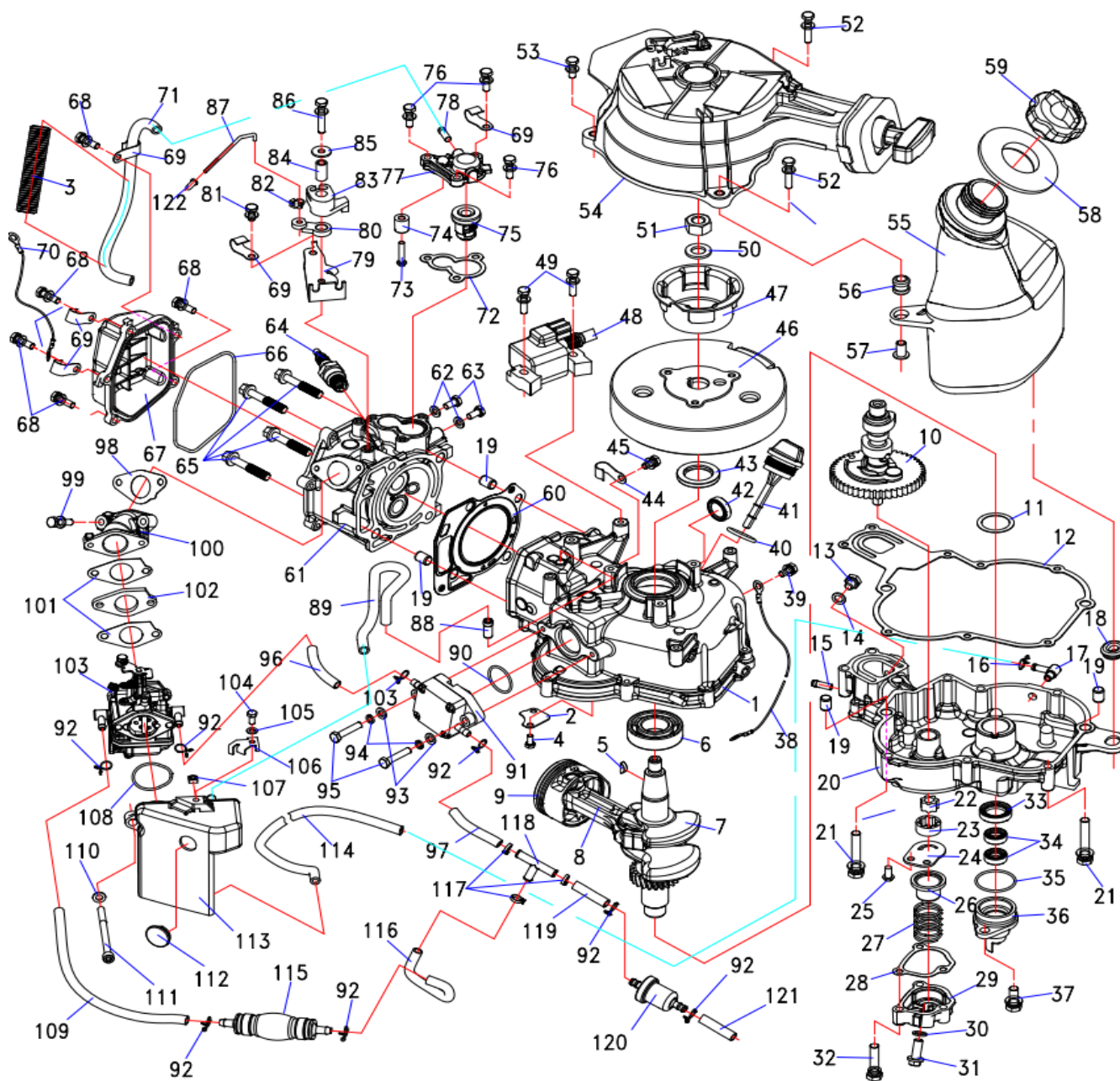
2. Капот

NO.	КОД MR	КОД OEM	НАИМЕНОВАНИЕ	ШТ	УПАКОВКА	YAMAHA
1	MR01070703	F6-07.00.00.01	Top cowling	1	1	
2	MR01070704	F6-07.00.00.02	Air inlet cap	1	1	
3	MR0104073BAG	GB818 M4x12	Screw M4*12	2	10	
4	MR0104169BAG	GBT97.1 M4	Flat gasket	2	10	
5	MR01080709	F6-07.00.00.04	Rear lock hook	1	1	
6	MR01082010BAG	2.5F-02.00.00.10	Plate	1	2	
7	MR0104091BAG	GB845 ST4.2x16	Screw ST4.2*16	5	10	
8	MR0104162BAG	DIN985 M4	Flat gasket 4	3	10	
9	MR01080710	F6-07.00.00.05	Cowling lock,front	1	1	
10	MR0104162BAG	GB96 M4	Flat gasket 4	3	10	
11	MR0104074BAG	GB818 M4x14	Cross recessed countersunk head screw	3	10	
12	MR01060714	F6-07.00.00.03	rubber Seal strip	1	1	
13			Bingding nail	20		
	MR030227	F6	Top Cowling	1	1	



3. Ручной стартер

NO.	КОД МР	КОД ОЕМ	НАИМЕНОВАНИЕ	ШТ	УПАКОВКА	YAMAHA
1	MR01070709	F6-01.01.01.01	Starter cover assy.	1	1	6BX-15711-00-00
2	MR01090302BAG	F4-01.01.04	Torsional spring,brake	1	5	67D-15734-00-00
3	MR01070303	F4-01.01.03	Brake	1	1	67D-15794-01-00
4	MR01041790BAG	GB896 6	Circlip	1	10	99001-06600-00
5	MR01100704	F6-02.02.00.00	Brake cable assy.	1	1	6BX-E5770-00-00
6	MR01070304	F4-01.01.07	Anti-friction	1	1	67D-15739-00-00
7	MR01090303	F4-01.01.08	Volute spring	1	1	67D-15713-00-00
8	MR01100301BAG	F4-01.01.15	Start rope $\varnothing 3.5 \times 1800 \text{mm}$	1	2	
9	MR01070305	F4-01.01.09	Start wheel	1	1	67D-15714-00-00
10	MR01080511	F9.9-01.07.00.06	U-type sliding bush	1	1	63V-15764-00-00
11	MR01060301	F4-01.01.06	Damper	1	1	6BX-15762-00-00
12	MR01060103	15F-01.01.08	Starter handle	1	1	6G1-15755-00-00
13	MR01070110BAG	15F-01.01.10	Cover,Starter handle	1	2	6G1-15779-00-00
14	MR01090304BAG	F4-01.01.10	Spring,drive arm	2	2	67D-15767-00-00
15	MR01070306BAG	F4-01.01.11	Drive arm	2	2	67D-15741-00-00
16	MR01090305BAG	F4-01.01.13	Steel Cable Baffle Ring	1	5	6BX-15705-00-00
17	MR01070307BAG	F4-01.01.12	press plate	1	2	67D-15735-00-00
18	MR01020302BAG	F4-01.01.14	Screw,press plate	1	5	67D-15793-00-00
19	MR0104409BAG	GB9074.1 M6*35	Hexagonal bolt & flat gasket assy M6*35	2	10	
20	MR0104406BAG	GB9074.1 M6*20	Flat gasket&Bolt	1	10	
	MR030115	F6-01.01.00.00	Recoil Starter Assy	1	1	6BX-15710-00-00

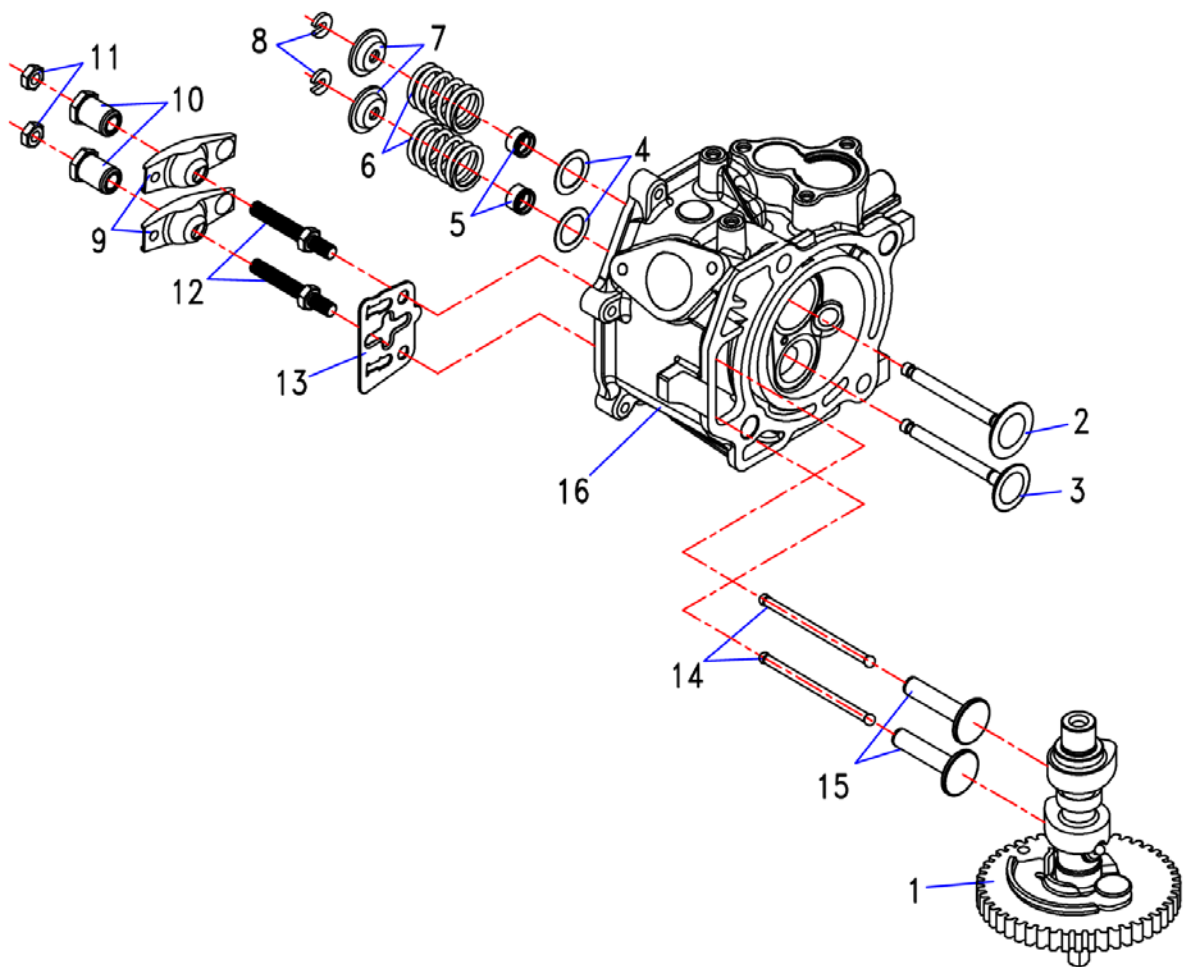


4. Блок двигателя

NO.	КОД МР	КОД ОЕМ	НАИМЕНОВАНИЕ	ШТ	УПАКОВКА	YAMAHA
1	MR01010701	F6-01.05.07.00	Crankcase	1	1	6BX-WE090-00-1S
2	MR01080701BAG	F6-01.05.00.26	Oil baffle plate	1	2	
3	MR011014226BAG	5F-01.04.17	Sylphon bellows Ф12*140	1	2	
4	MR0104002BAG	GB5783 M5x10	Bolt M5*10	2	10	90280-04M06-00
5	MR01100302BAG	F4-01.06.19	Woodruff key	1	2	93306-205B2-00
6	MR01050305	F4-01.06.02	Deep groove ball bearing 6205C3	1	1	6BX-E1410-00-00
7	MR01050712	F6-01.05.03.00	Crankshaft comp.	1	1	6BX-11650-00-00
8	MR01050702	F6-01.05.04.00	Connecting rod comp.	1	1	
9	MR01050703	F6-01.05.05.00	piston comp.	1	1	6BX-E2170-00-00
10	MR01050714	F6-01.05.06.00	Camshaft comp.	1	1	90201-266P2-00
11	MR01080305BAG	F4-01.06.22	adjuster,timing gear	1	2	6BX-11351-00-00
12	MR01050715	F6-01.05.00.19	Seal Gasket,crankcase	1	1	
13	MR01040321BAG	GB5783 M8x14	Bolt	1	10	
14	MR01080401BAG	F2.5-01.01.00.04	Copper washer	1	2	650-24378-00-00
15	MR01020304BAG	F4-01.06.03	Joint,Breather pipe	1	2	
16	MR01090138BAG		Tube Clip	1	10	676-11372-00-00
17	MR01020109	15F-01.06.10	water Tube fitting B	1	1	90480-01559-00
18	MR01060715BAG	F6-01.04.00.01	Damper ring,fuel tank	1	2	99510-10114-00
19	MR01020202BAG	F15-01.01.00.18	Dowel pin	4	5	
20	MR01010711	F6-01.05.00.18	Crankcase cover	1	1	
21	MR0104423BAG	GB9074.1 M6*50(10.9)	bolt and flat plate Assy.M6*30	10	10	
22	MR01050717	F6-01.05.00.17	Inner rotor	1	1	
23	MR01050716	F6-01.05.00.16	Outer rotor	1	1	
24	MR01080702BAG	F6-01.05.00.15	Crescent plate	1	5	98517-06012-00
25	MR0104318BAG	GB823 M6x12	Cross recessed Pan head screws M6*12	2	10	51Y-13411-00-00
26	MR01100703BAG	F6-01.05.01.00	Oil filter comp.	1	2	90501-18576-00

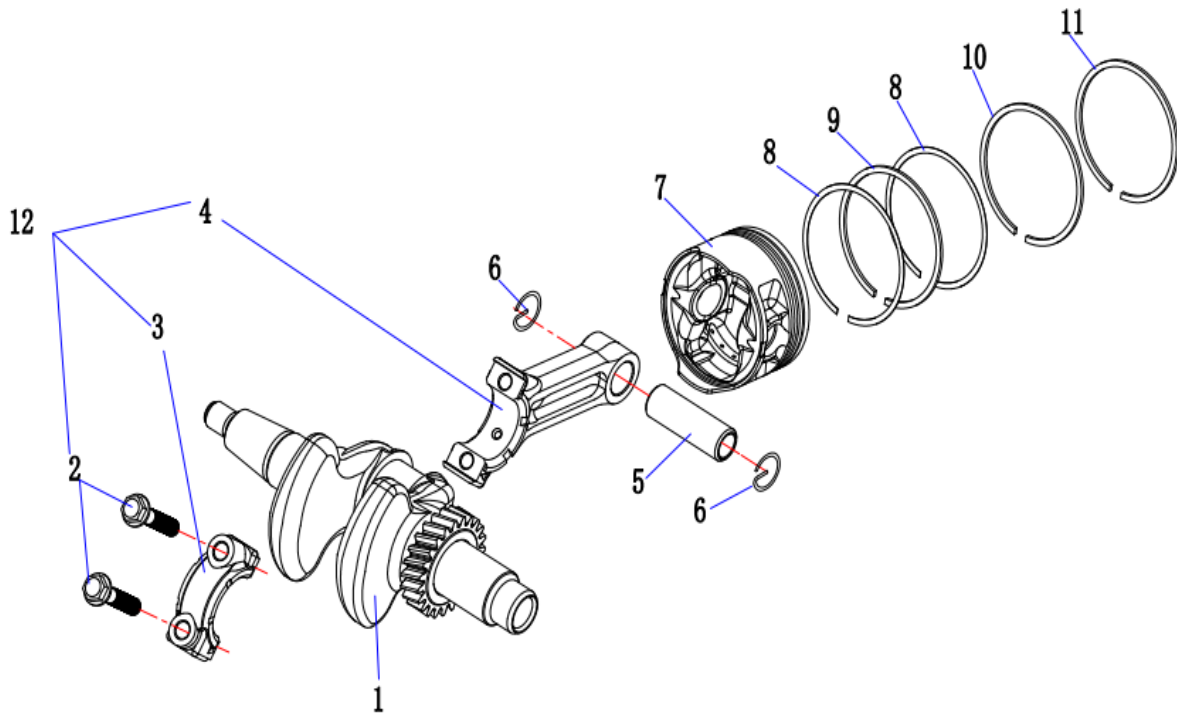
27	MR01090702BAG	F6-01.05.00.14	Spring,Oil pump	1	5	6BX-E3475-00-00
28	MR01050718BAG	F6-01.05.00.13	Oil pump seal gasket	1	2	6BX-E3417-00-1S
29	MR01010706	F6-01.05.00.12	Oil pump housing	1	1	
30	MR01080401BAG	F2.5-01.01.00.04	Copper washer	1	2	650-24378-00-00
31	MR01020401	F2.5-01.01.00.02	Oil drain plug	1	1	
32	MR0104409BAG	GB9074.1 M6*35	Hexagonal bolt & flat gasket assy M6*35	3	10	
33	MR01050308	F4-01.06.15.02	Oil seal	1	1	93101-10M14-00
34	MR01050309	F4-01.06.15.03	Oil seal B10.8*21*7	2	1	93210-35537-00
35	MR01060307BAG	F4-01.06.15.04	O-ring	1	2	68D-E5396-00-5B
36	MR092201010304	F4-01.06.15.01	Casing,oil seal	1	1	
37	MR01044132BAG	GB9074.1 M8*20	Hexagon headed bolt and flat plate M6*20	1	10	
38	MR01030703	F6-01.03.04.00	Wire comp.	1	1	
39	MR0104403BAG	GB9074.1 M6*12	Bolt	1	10	
40	MR01060308BAG	F4-01.06.27	O ring	1	2	93210-24M79-00
41	MR01070311	F4-01.06.26	Oil dip-stick	1	1	68D-E5362-00-00
42	MR01100401	F2.5-01.01.01.00	oil inspection window Assy	1	1	
43	MR01050306	F4-01.06.04	Oil seal,Crankshaft	1	1	93102-25090-00
44	MR01080210BAG	F15-01.03.00.42	fix clip,air breather tube	1	5	
45	MR0104403BAG	GB9074.1 M6*12	Bolt	1	10	
46	MR01030707	F6-01.03.05.00	Flying wheel comp	1	1	6BX-85550-00-00
47	MR01080711	F6-01.05.00.08	Starter pulley	1	1	6BX-15723-00-00
48	MR01030701	F6-01.03.03.00	CDI comp	1	1	6BX-85571-00-00
49	MR0104407BAG	GB9074.1 M6*25	Hexagonal bolt & flat gasket assy M6*25	2	10	
50	MR0104173BAG	GB97.1 M12	Flat gasket 12	1	10	90201-12472-00
51	MR01080106	15F-01.03.19	Flying wheel nut	1	1	90170-12066-00
52	MR0104409BAG	GB9074.1 M6*35	Hexagonal bolt & flat gasket assy M6*35	2	10	
53	MR0104406BAG	GB9074.1 M6*20	Flat gasket&Bolt	1	10	
54	MR030115	F6-01.01.00.00	Recoil Starter Assy	1	1	6BX-15710-00-00
55	MR010707150	F6-01.04.01.01	Fuel tank	1	1	
56	MR01060317BAG	F4-01.07.01.04	damper gasket	2	10	6A0-82317-00-00
57	MR01020308BAG	F4-01.07.01.02	Washer,fuel tank	2	2	90387-06119-00
58	MR01060723	F6-01.04.00.14	Damper ring,fuel tank	1	1	6A0-82317-00-00
59	MR010703120	F4-01.07.02.00	Cap,fuel tank comp	1	1	6BX-24610-10-00
60	MR01050713	F6-01.05.09.00	Cylinder gasket	1	1	6BX-11181-00-00
61	MR01010702	F6-01.05.02.00	Cylinder head comp	1	1	6BX-E1111-00-1S
62	MR0104171BAG	GB97.1 M6	Flat gasket	2	10	
63	MR0104008BAG	GB5783 M6x12	Hex Head Bolt M6*12	2	10	
64	MR01050721	CR6HSB	Spark plug	1	1	CR6-HSB00-00-00
65	MR0104065BAG	GB5789 M8x60(10.9)	Flange bolt	4	5	
66	MR01060716	F6-01.05.00.11	Seal ring, Cylinder head cover	1	1	6BX-11356-00-00
67	MR01010708	F6-01.05.00.10	Cylinder head cover	1	1	
68	MR0104406BAG	GB9074.1 M6*20	Flat gasket&Bolt	5	10	
69	MR01080210BAG	F15-01.03.00.42	fix clip,air breather tube	5	5	
70	MR01030702	F6-01.03.06.00	Ground wire assembly	1	1	
71	MR01060719BAG	F6-01.05.00.09	Water hose	1	2	
72	MR01050322BAG	F4-01.06.28	seal Gasket	1	2	68D-E2414-A0-00
73	MR0104081BAG	GB818 M5x25	Cross recessed Pan head screws M5*25	1	10	
74	MR01010510BAG	F9.9-01.03.00.34	Anode	1	2	6G8-11325-00-00
75	MR010501040	F15-01.01.00.14-60°C	Thermostat 60°	1	1	66M-12411-01-00
76	MR0104406BAG	GB9074.1 M6*20(A2-70)	Flat gasket&Bolt	3	10	
77	MR01010305	F4-01.06.29	Thermostat cap	1	1	68D-E2413-00-1S
78	MR01020304BAG	F4-01.06.03	Joint,Breather pipe	1	2	
79	MR01080717	F6-01.05.00.01	Base,throttle cable cam	1	1	
80	MR01070715	F6-01.05.00.03	Connecting block,throttle	1	1	
81	MR0104403BAG	GB9074.1 M6*12	Bolt	1	10	
82	MR01070116	15F-01.02.07	chock lever joint A1	1	1	
83	MR01070714	F6-01.05.00.02	End wheel ,Throttle cable	1	1	
84	MR01020703	F6-01.05.00.04	End wheel bushing	1	1	
85	MR0104164BAG	GB96 M6	Flat gasket	1	10	
86	MR0104409BAG	GB9074.1 M6*35	Hexagonal bolt & flat gasket assy M6*35	1	10	
87	MR01090703	F6-01.05.00.05	Throttle lever	1	1	
88	MR01020701BAG	F6-01.05.00.27	Joint,Breather pipe	1	2	
89	MR01060720BAG	F6-01.02.00.03	Exhaust pipe	1	2	
90	MR01060318BAG	F4-01.07.13.11	O-ring,fuel pump	1	2	93210-27ME3-00
91	MR01050334	F4-01.07.13.00	Fuel pump assy.	1	1	6BX-24410-00-00
92	MR01090138BAG		Tube Clip	7	10	676-11372-00-00
93	MR0104171BAG	GB97.1 M6	Flat gasket	2	10	
94	MR0104154BAG	GB93 M6	Spring Washer	2	10	
95	MR0104014BAG	GB5783 M6x30	Bolt	2	10	
96	MR01060717BAG	F6-01.04.00.07	Outlet pipe,fuel pump	1	2	
97	MR01060713BAG	F6-01.04.00.08	Inlet pipe, fuel pump	1	2	
98	MR01050720BAG	F6-01.02.00.06	Seal Gasket, intake manifold (outlet)	1	2	6BX-E3645-00-00
99	MR0104407BAG	GB9074.1 M6*25(A2-70)	Hexagonal bolt & flat gasket assy M6*25	2	10	
100	MR01010709	F6-01.02.00.05	Intake manifold	1	1	6BX-E3641-10-94
101	MR01050722BAG	F6-01.02.00.01	Gasket, intake manifold (inlet)	2	2	6BX-E3646-00-00
102	MR01070710BAG	F6-01.02.00.02	Heatproof plate	1	2	6BX-E3647-00-00
103	MR01050701	F6-01.02.02.00	Carburetor comp	1	1	6BX-14301-10-00
104	MR0104002BAG	GB5783 M5x10	Bolt M5*10	1	10	90280-04M06-00
105	MR0104170BAG	GB97.1 M5	Flat gasket	1	10	

106	MR01080704BAG	F6-02.00.00.01	Plate,choker wire	1	2	
107	MR0104356BAG	GB39 M5	C class square nut M5	1	10	
108	MR01060701BAG	F6-01.02.00.07	O ring,air cleaner	1	2	93210-320A7-00
109	MR01060712BAG	F6-01.04.00.11	Oil outlet hose, manual pump	1	2	
110	MR0104171BAG	GB97.1 M6	Flat gasket	2	10	
111	MR0104265BAG	GB/T70.1 M6x85	Bolt M6*85	2	10	
112	MR01060303BAG	F4-01.02.06.06	Rubber plug	1	2	90480-18M74-00
113	MR01070706	F6-01.02.01.00	Air cleaner comp	1	1	6BX-14440-00-00
114	MR01060718BAG	F6-01.02.00.04	Fuel collection tube	1	2	
115	MR01100702	F6-01.04.02.00	Manual pump comp.	1	1	6BX-24360-10-00
116	MR01060711BAG	F6-01.04.00.09	Manual pump fuel hose	1	2	
117	MRBAG		Ribbon	3		
118	MR01070226BAG	F15-05.00.00.17	T-branch pipe	1	2	688-24378-00-00
119	MR01060710BAG	F6-01.04.00.13	Fuel hose E	1	2	
120	MR01070518	F9.9-01.03.04.00	Fuel filter assy	1	1	68T-24251-01-00
121	MR01060709BAG	F6-01.04.00.06	Fuel hose D	1	2	6BX-F4311-00-00
122	MR01060512BAG	F9.9-01.04.00.05	linkage cover	1	2	



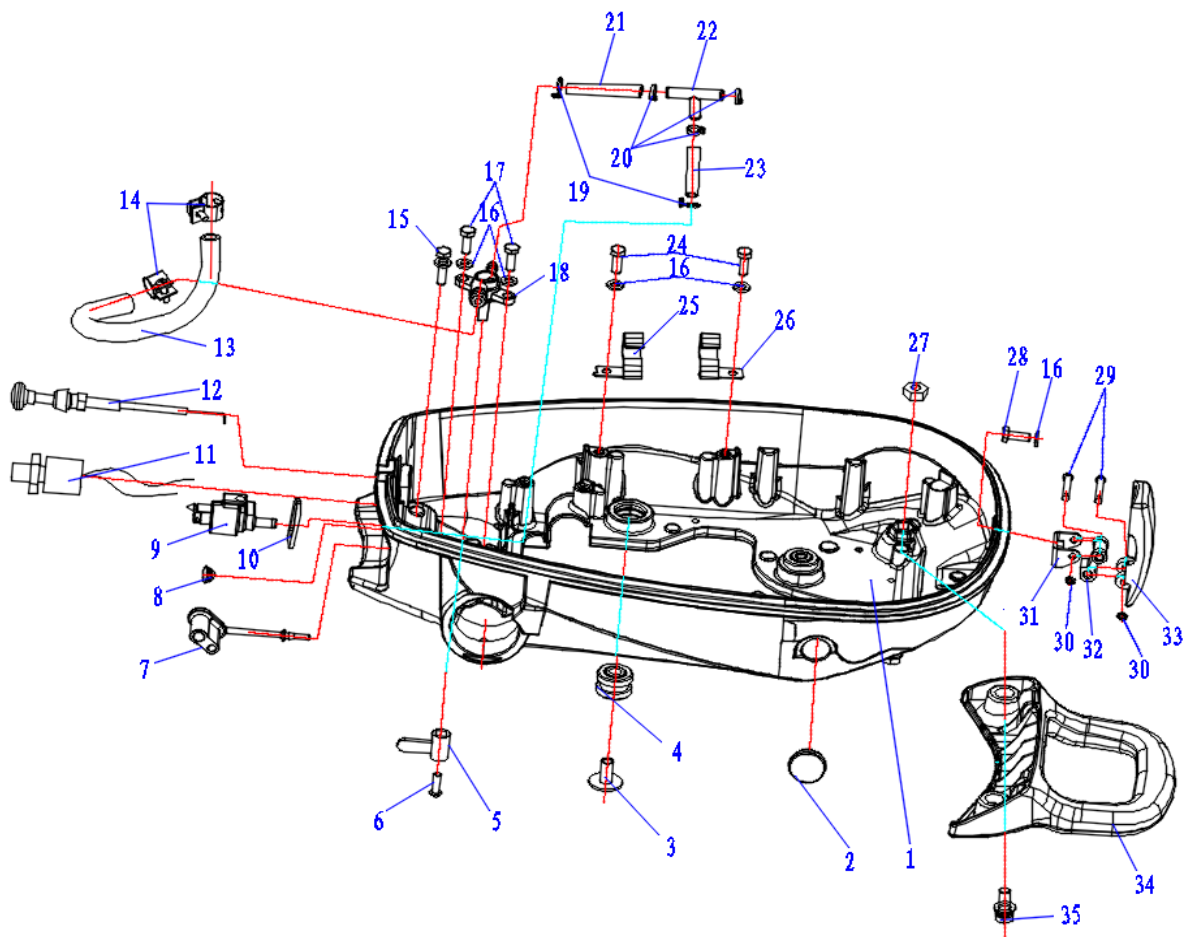
5. ГРМ

NO.	КОД MR	КОД OEM	НАИМЕНОВАНИЕ	ШТ	УПАКОВКА	YAMAHA
1	MR01050714	F6-01.05.06.00	Camshaft comp.	1	1	6BX-E2170-00-00
2	MR01050711	F6-01.05.00.22	Intake valve	1	1	6BX-12111-00-00
3	MR01050710	F6-01.05.00.06	Exhaust valve	1	1	6AU-12121-00-00
4	MR01080306BAG	F4-01.06.33.08	Spacer, Valve spring	2	10	68T-12116-00-00
5	MR01050326BAG	F4-01.06.33.09	air Valve oil seal	2	5	51Y-12119-00-00
6	MR01090701BAG	F6-01.05.00.23	Spring, valve	2	2	60R-12113-00-00
7	MR01080308BAG	F4-01.06.33.11	air Valve spring base	2	2	7NJ-12117-00-00
8	MR01080307BAG	F4-01.06.33.10	valve clamp	2	5	7NJ-12118-00-00
9	MR01050358	F4-01.06.33.14	Rocker arm	2	1	67D-12151-00-00
10	MR01050360	F4-01.06.33.16	Rocker arm bolt	2	1	7FK-12165-00-00
11	MR01050359	F4-01.06.33.15	Bolt	2	1	7FK-12158-00-00
12	MR01050357	F4-01.06.33.13	Bolt, Rocker arm	2	1	67D-12157-00-00
13	MR01080703BAG	F6-01.05.00.24	Deflector	1	2	6BX-E2155-00-00
14	MR01050719BAG	F6-01.05.00.25	Push rod	2	2	6BX-12154-00-00
15	MR01050320BAG	F4-01.06.24	air Valve tappet	2	2	JA9-12153-00-00
16	MR01010702	F6-01.05.02.00	Cylinder head comp	1	1	6BX-E1111-00-1S



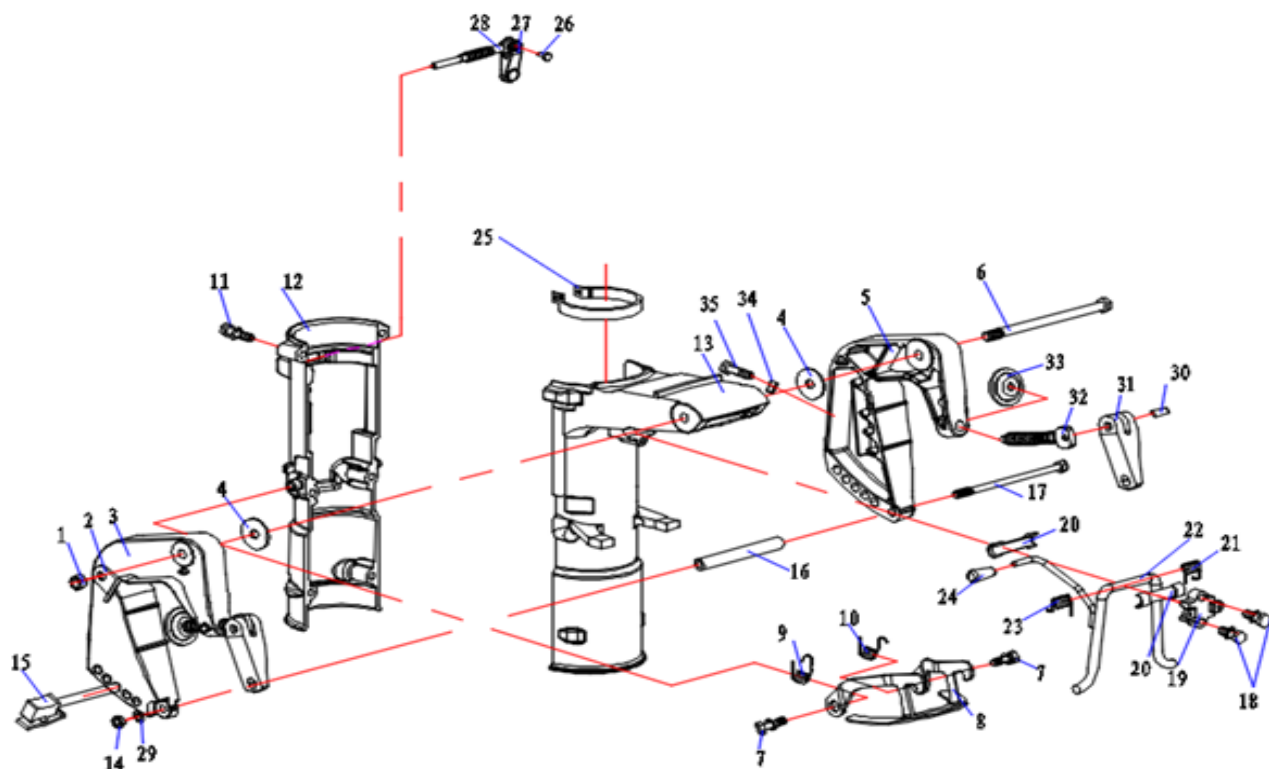
6. Коленвал

NO.	КОД MR	КОД OEM	НАИМЕНОВАНИЕ	ШТ	УПАКОВКА	YAMAHA
1	MR01050712	F6-01.05.03.00	Crankshaft comp.	1	1	6BX-E1410-00-00
2		F6-01.05.04.03	Connection rod bolt	2		6BX-11650-00-00
3		F6-01.05.04.02	Connection rod cap	1		
4		F6-01.05.04.01C	Connection rod	1		
5	MR01050704	F6-01.05.05.02	Pin,piston	1	1	6BX-11633-00-00
6	MR01050705BAG	F6-01.05.05.03	Circlip,piston	2	2	93450-16068-00
7	MR01050703	F6-01.05.05.01	piston comp.	1	1	6BX-E1636-00-00
8	MR01050708	F6-01.05.05.06	O ring, piston	2		6BX-E1603-00-00
9	MR01050709	F6-01.05.05.07	Oil ring	1		6BX-E1603-00-00
10	MR01050707	F6-01.05.05.05	2nd ring	1		
11	MR01050706	F6-01.05.05.04	Top ring	1		
12	MR01050702	F6-01.05.04.00	Connecting rod comp.	1	1	6BX-11650-00-00



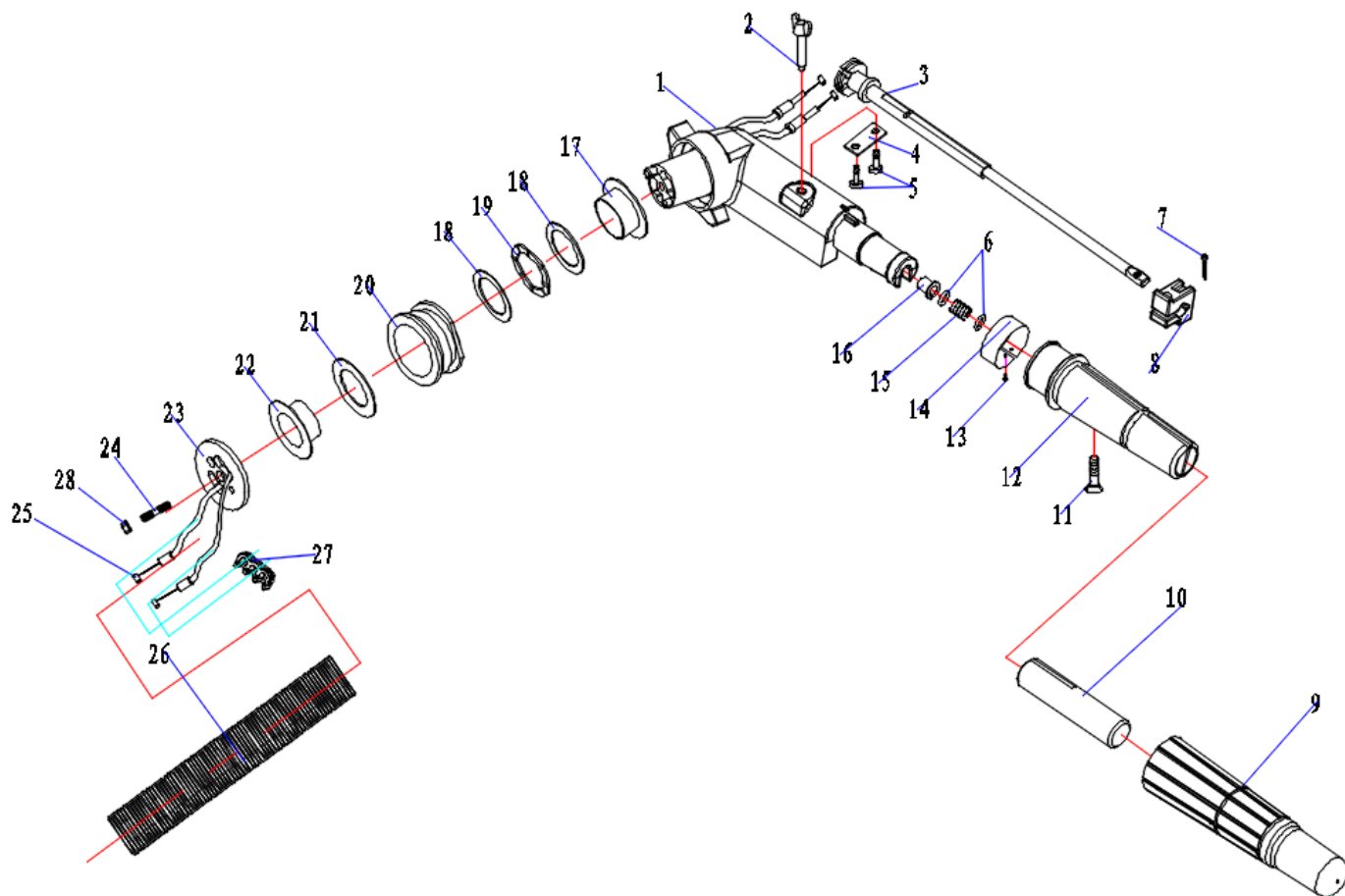
7. Поддон двигателя

NO.	КОД МР	КОД ОЕМ	НАИМЕНОВАНИЕ	ШТ	УПАКОВКА	YAMAHA
1	MR092301010704	F6-02.00.00.08	Bottom base comp	1	1	
2	MR01060321BAG	F4-02.13	Rubber plug	1	2	90480-22M72-00
3	MR01020515BAG	F9.9-02.00.00.06	Shoulder pad	4	2	90387-06176-00
4	MR01060524BAG	F9.9-02.00.00.05	Cushion blocking of bottom seat	4	2	90480-21M82-00
5	MR01070314BAG	F4-01.07.05.01	Fuel cock knob	1	2	
6	MR0104074BAG	GB818 M4x14	Cross recessed countersunk head screw	1	10	
7	MR01060703	F6-01.04.00.12	Fuel hose joint cover	1	1	
8	MR01060705BAG	F6-02.00.00.09	Rubber plug	1	2	
9	MR01100106	15F-01.07.01.00	Fuel hose joint assy	1	1	6YL-24304-01-00
10	MR01060517BAG	F9.9-01.04.00.13	fuel hose joint Washer	1	2	60R-F4329-00-00
11	MR011011070	40F-04.01.05	Emergency stop switches assy	1	1	
12	MR01100705	F6-02.01.00.00	Choke handle assy	1	1	6BX-F6330-01-00
13	MR01060706	F6-01.04.00.03	Fuel hose A	1	1	
14	MR01080911BAG	3.5F-01.04.05.00	Clamp assy.	2	2	
15	MR0104407BAG	GB9074.1 M6*25	Hexagonal bolt & flat gasket assy M6*25	1	10	
16	MR0104171BAG	GB97.1 M6	Flat gasket	4	10	
17	MR0104010BAG	GB5783 M6x14	hex bolt	2	10	6BX-42129-00-00
18	MR01050332	F4-01.07.05.00	Fuel switch assy	1	1	6BX-24500-00-00
19	MR01090138BAG		Tube Clip	2	10	
20			Ribbon	3		
21	MR01060707BAG	F6-01.04.00.04	Fuel hose	1	2	
22	MR01070226BAG	F15-05.00.00.17	T-branch pipe	1	2	
23	MR01060708BAG	F6-01.04.00.05	Fuel hose C	1	5	
24	MR0104010BAG	GB5783 M6x14	hex bolt	2	10	6BX-42129-00-00
25	MR01080706	F6-02.00.00.02	Holder, manual pump (L)	1	1	
26	MR01080707	F6-02.00.00.03	Holder, manual pump (R)	1	1	
27	MR0104139BAG	GB6170 M8	Bolt nut	1	10	
28	MR0104403BAG	GB9074.1 M6*12	Bolt	1	10	
29	MR01020706	F6-02.00.00.05	Lock handle rotation shaft	2	1	
30	MR0104177BAG	GB896 4	Circlip	2	10	
31	MR01080708	F6-02.03.00.00	Lock handle bracket Assy.	1	1	
32	MR01070702BAG	F6-02.00.00.06	lock handle connector	1	2	
33	MR092301070708	F6-02.00.00.07	Lock handle	1	1	68T-42801-00-00
34	MR092301070701	F6-02.04.00.00	Handle comp. botton base	1	1	6BX-G2731-00-00
35	MR01044132BAG	GB9074.1 M8*20	Hexagon headed bolt and flat plate M6*20	1	10	



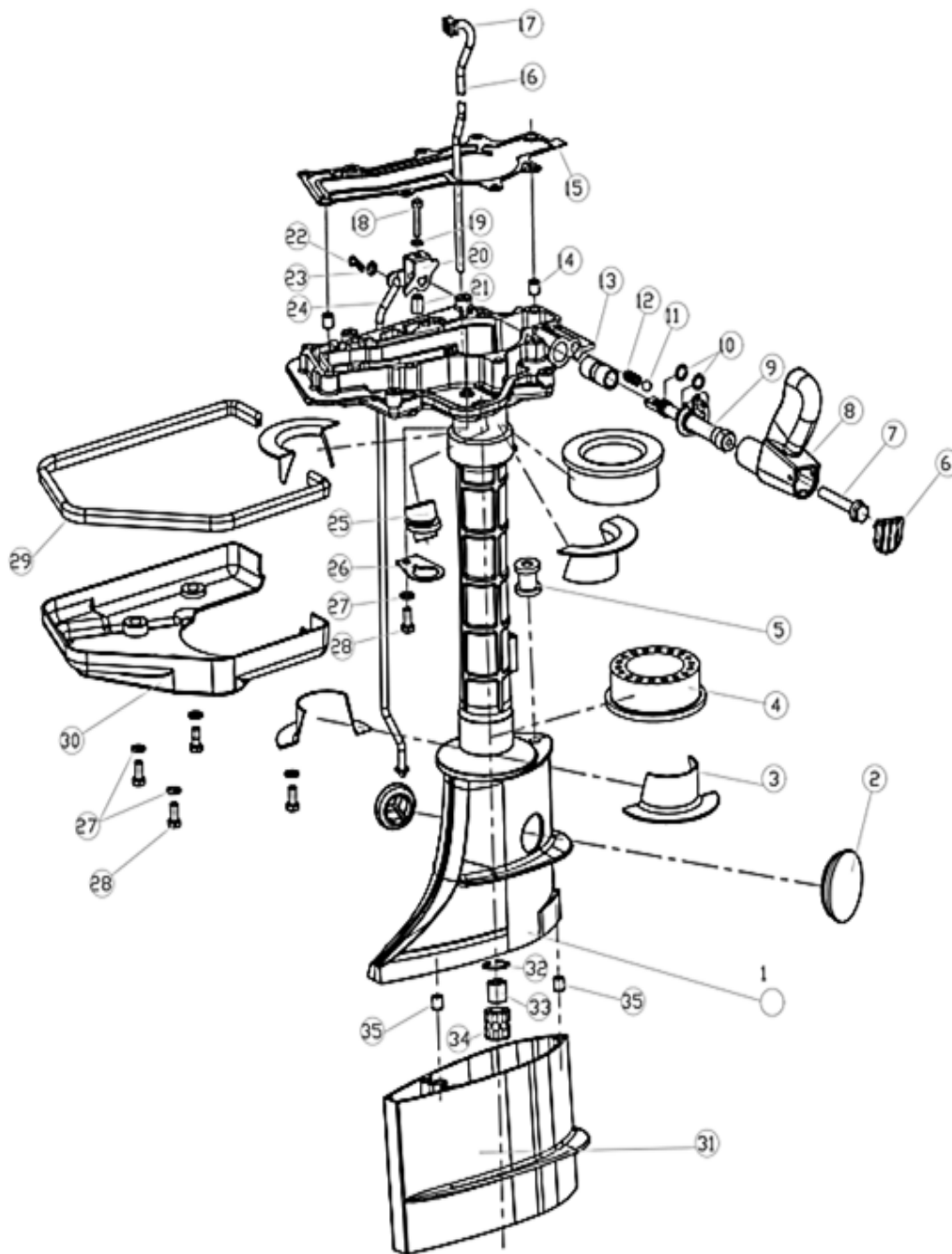
8.Кронштейн струбцины

NO.	КОД МР	КОД ОЕМ	НАИМЕНОВАНИЕ	ШТ	УПАКОВКА	YAMAHA
1	MR0104147BAG	DIN985 M8	Hexagon nylon lock nut	1	10	90185-08057-00
2	MR01080314BAG	F4-03.02	Orifice plate	1	2	68D-G3113-00-00
3	MR01010308	F4-03.01.01	Clamp bracket (left)	1	1	6L8-G3112-00-4D
4	MR01070325BAG	F4-03.03	Nylon gasket	2	2	90202-08M58-00
5	MR01010309	F4-03.01.02	Clamp bracket (right)	1	1	6L8-G3111-01-4D
6	MR0104049BAG	GB5782 M8×135	Hexagonal bolt M8*135	1	5	90101-08M07-00
7	MR0104402BAG	GB9074.1 M6*10	Hexagonal bolt & flat gasket assy M6*10	2	10	
8	MR01080316	F4-03.05.08.00	Tilt lock hook assy	1	1	6BX-43614-00-00
9	MR01090314BAG	F4-03.05.08.04	Tension spring,locking hook B	1	2	
10	MR01090313BAG	F4-03.05.08.03	Tension spring,locking hook(A)	1	2	6BX-43188-00-00
11	MR0104409BAG	GB9074.1 M6*35	Hexagonal bolt & flat gasket assy M6*35	6	10	
12	MR092201010312	F4-03.05.04	Cap,swivel bracket	1	1	68D-G3312-01-4D
13	MR01010310	F4-03.05.01	Bracket,swivel	1	1	68D-G3311-01-4D
14	MR0104138BAG	GB6170 M6	Hex Nut M6	1	10	
15	MR01090328	F4-03.05.07.00	Angle adjusting pin	1	1	68D-G3160-00-00
16	MR01020312	F4-03.04	bolt cushion tube	1	1	90387-06M11-00
17	MR0104027BAG	GB5782 M6×120	Hexagonal bolt M6*120	1	10	90101-06335-00
18	MR0104406BAG	GB9074.1 M6*20	Flat gasket&Bolt	2	10	
19	MR01010311	F4-03.05.03	pressure plate,adjusting bracket	1	1	6E0-43313-00-94
20	MR01070326BAG	F4-03.05.02.05	Antifriction pad	2	2	620-43189-00-00
21	MR01090312BAG	F4-03.05.02.04	Torsional spring(B)	1	5	
22	MR01080315	F4-03.05.02.01	Angle adjusting bracket	1	1	6BX-43181-00-00
23	MR01090311BAG	F4-03.05.02.03	Torsional spring(A)	1	5	
24	MR01060322BAG	F4-03.05.02.02	Handle rubber sleeve	1	2	
25	MR01060323	F4-03.05.05.00	Lock washer assy	1	1	6E0-42528-03-00
26	MR01041979BAG	GB875 4×10	Thin flat head socket shank rivet	1	10	90266-04M05-00
27	MR01070327BAG	F4-03.05.06.01	Lock handle	1	2	68D-G2561-01-00
28	MR01020313	F4-03.05.06.02	Lock screw	1	1	6L5-42529-01-00
29	MR0104171BAG	GB97.1 M6	Flat gasket	1	10	
30	MR0104199BAG	GB1015 4×22	Rivet	2	10	90243-04M01-00
31	MR01070140BAG	15F-03.05.02.04	Clamping handle	2	2	6L8-G3118-01-00
32	MR01020311	F4-03.01.03	Clamp bolt	2	1	6E0-43116-01-00
33	MR01080118BAG	15F-03.05.02.03	Clamp plate	2	2	620-43114-00-00
34	MR01051845	F25EI-01.03.00.26	Anode	1	1	
35	MR0104003BAG	GB5783 M5*12	Bolt	1	10	



9. Румпель

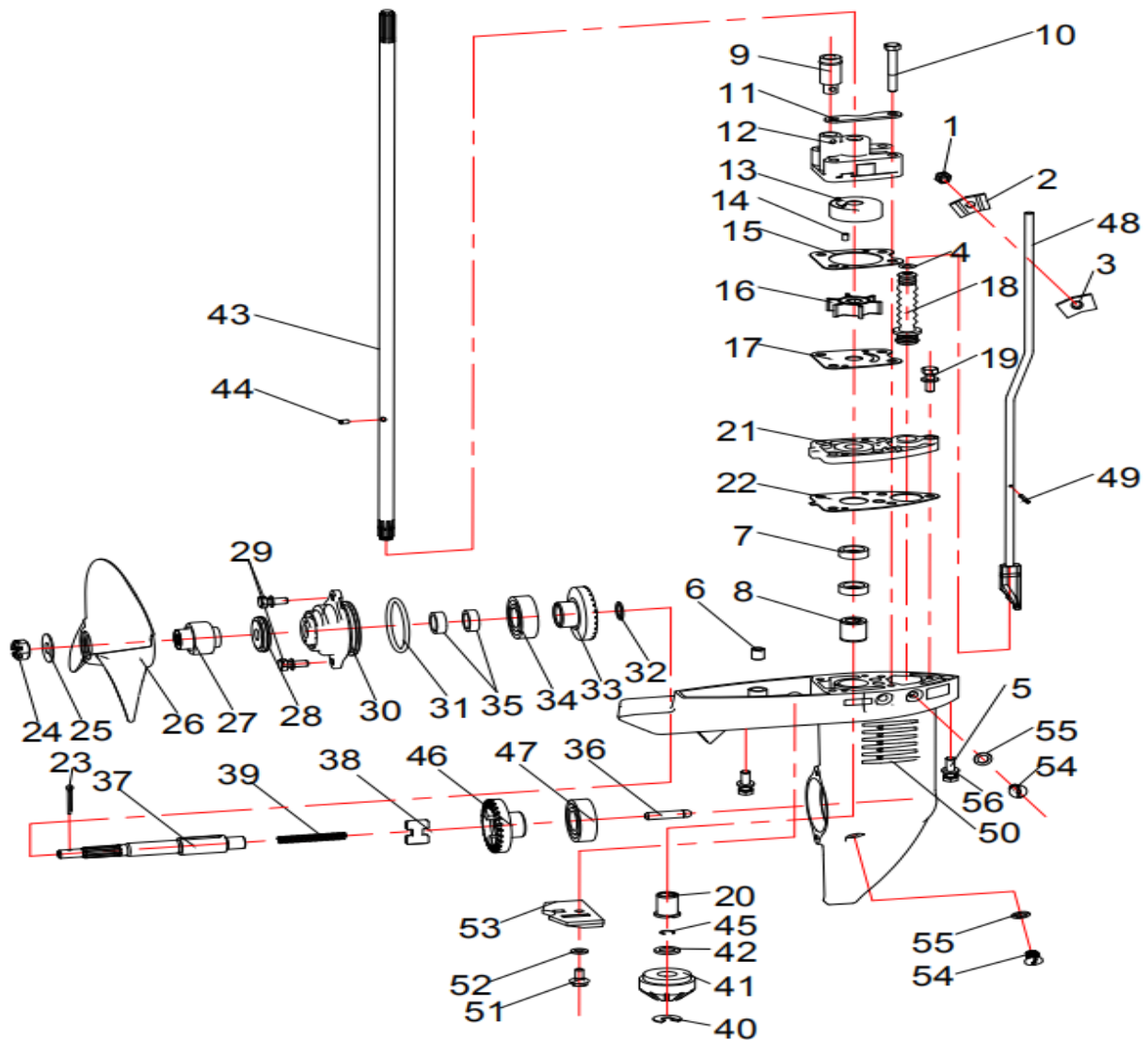
NO.	КОД MR	КОД OEM	НАИМЕНОВАНИЕ	ШТ	УПАКОВКА	YAMAHA
1	MR092301010703	F6-04.00.00.07	Steering handle	1	1	
2	MR01020126	15F-04.07.09	Resistance adjustment knob	1	1	6G1-42125-01-00
3	MR01070707	F6-04.01.00.00	Throttle lever	1	1	6BX-42138-00-00
4	MR01080131BAG	15F-04.07.07	Throttle lever plate	1	2	
5	MR0104077BAG	GB818 M5×12	Screw M5*12	2	10	
6	MR0104160BAG	GB848 M10	Flat Pad 10	2	10	
7	MR01041850BAG	GB91 1.6×12	Cotter pin 1.6*12	1	10	91490-16010-00
8	MR01070152BAG	15F-04.07.08	locking segment	1	5	6G1-42126-00-00
9	MR01060349	F4-04.07.15	Rubber sleeve,Handle	1	1	
10	MR01020328	F4-04.07.14	Insert,handle	2	1	
11	MR0104117BAG	GB820 M5×25	Screw M5*25	1	10	
12	MR01070154	15F-04.07.13	Handle	1	1	
13	MR010408809BAG	GB845 ST2.2×4.5	Screw	1	10	
14	MR01100366BAG	15F-04.11- II	Indicator,throttle	1	2	
15	MR01090124BAG	15F-04.07.11	Spring	1	2	90501-23215-00
16	MR01070153BAG	15F-04.07.12	Bushing	1	2	90386-08032-00
17	MR01070711BAG	F6-04.00.00.02	Outer damper	1	2	
18	MR01080714BAG	F6-04.00.00.03	Outer washer	2	5	
19	MR01080716BAG	F6-04.00.00.05	Wave washer	1	5	
20	MR01060704	F6-04.02.00.00	Shock ring comp,handle	1	1	6BX-42129-00-00
21	MR01080715BAG	F6-04.00.00.04	Inner washer	1	5	
22	MR01070712BAG	F6-04.00.00.06	Inner damper	1	2	
23	MR01080713	F6-04.00.00.01	Plate	1	1	6BX-42131-00-00
24	MR01020125BAG	15F-04.07.02	Double screw bolt (short)	1	2	
25	MR01100701	F6-04.00.00.08	Throttle cable	2	1	6BX-F6301-00-00
26	MR01100368BAG		Wave plastic hose	1	10	
27	MR01071910BAG	60F-01.04.00.11	Air hose Clamp	2	2	
28	MR0104147BAG	DIN985 M8	Hexagon nylon lock nut	1	10	



10. Дейдвуд

NO.	КОД MR	КОД OEM	НАИМЕНОВАНИЕ	ШТ	УПАКОВКА	YAMAHA
1	MR092301010705	F6-05.00.00.05	Upper casing	1	1	6BX-G5111-00-4D
2	MR01060326BAG	F4-05.01.04	Plug,upper casing	2	2	647-45151-01-00
3	MR01070333BAG	F4-05.08	Shock ring bushing	4	2	
4	MR01060328	F4-05.09	Shock ring	2	1	
5	MR01060325BAG	F4-05.01.03	Sealer	1	2	90480-10M13-00
6	MR01070721BAG	F6-05.02.00.02	Cap,Gear shift handle	1	2	
7	MR0104214	GB5787 M8x40 (9.8) (S10)	Hexagon flange bolts	1	1	
8	MR01070713	F6-05.02.00.00	Gear shift handle	1	1	6BX-G4111-00-00
9	MR01080712	F6-05.03.00.00	Gear shifting assy	1	1	6BX-G4119-00-CA
10	MR01060327BAG	F4-05.02.03	O ring	2	10	93210-09350-00
11	MR0104204BAG	F4-05.03	Steel Ball 8	1	2	93505-16024-00
12	MR01090315BAG	F4-05.04	Pressure Spring	1	2	90501-12802-00
13	MR01020315	F4-05.01.02	Shift axis sleeve	1	1	6BX-G4122-00-00
14	MR01020307BAG	F4-06.27	Dowel pin	2	2	90387-06806-00
15	MR01050723	F6-05.00.00.04	Engine gasket	1	1	6BX-45113-00-00
16	MR01100311	F4-05.12-S	Hose	1	1	6BX-G4360-00-00
	MR01100321	F4-08.05-L	Hose		1	
17	MR01060329BAG	F4-05.13	Seal ring(upper),hose	1	2	90119-05M04-00
18	MR0104005BAG	GB5783 M5x25	Bolt	1	10	92990-05600-00
19	MR0104157BAG	GB848 M5	flate gasket	1	10	6BX-G4121-00-00
20	MR01080324	F4-05.07	Gear shift bracket	1	1	90387-06504-00
21	MR01020702BAG	F6-05.00.00.06	Bushing	1	2	91490-16010-00

22	MR01041850BAG	GB91 1.6x12	Cotter pin 1.6*12	1	10	92990-05600-00
23	MR0104158BAG	GB848 M6	Flat pad 6	1	10	6BX-44143-00-00
24	MR010903230	F4-05.06	Gear shift lever	1	1	
25	MR01060702	F6-05.00.00.03	Sleeve	1	1	
26	MR01080705BAG	F6-05.00.00.02	Plate	1	2	
27	MR0104171BAG	GB97.1 M6	Flat gasket	5	10	90119-05M04-00
28	MR0104010BAG	GB5783 M6x14	hex bolt	5	10	6BX-42716-00-00
29	MR01060722	F6-05.00.00.01	Sealing strip, decoration cover	1	1	6BX-G2723-00-00
30	MR092301070716	F6-05.01.00.00	Decoration cover assy	1	1	
31	MR01010321	F4-08.01	connecting block	1	1	
32	MR0104205BAG	GB893.1 Φ 22	circlip	1	10	
33	MR01050353BAG	F4-08.02	locating sleeve	1	5	
34	MR01060335BAG	F4-08.03	rubber sleeve	1	2	
35	MR01020307BAG	F4-06.27	Dowel pin	2	2	90387-06806-00



11. Редуктор

NO.	КОД МР	КОД ОЕМ	НАИМЕНОВАНИЕ	ШТ	УПАКОВКА	YAMAHA
1	MR0104406BAG	GB9074.1 M6*20	Flat gasket&Bolt	1	10	
2	MR01050350	F4-06.22	Shift cam locker B	1	1	68D-G4145-00-00
3	MR01050351	F4-06.23	Shift cam locker A	1	1	68D-G4146-00-00
4	MR01090317BAG	F4-06.16	Spring,rubber ring	1	2	
5	MR0104016BAG	GB5783 M6x40	Bolt	2	10	
	MR0104031BAG	GB5783 M6x165	Bolt M6*165	2	5	
6	MR01020307BAG	F4-06.27	Dowel pin	2	2	90387-06806-00
7	MR01050309	F4-01.06.15.03	Oil seal B10.8*21*7	2	1	93102-10004-00
8	MR01050336	F4-06.01.03	Bearing	1	1	6E0-45316-09-00
9	MR01060333BAG	F4-06.21.04	Water hose seal ring(lower)	1	2	67D-44366-00-00
10	MR0104017BAG	GB5783 M6x45	Hexagonal bolt M6*45	4	10	
11	MR01080329	F4-06.20	Plate,water pump	2	1	
12	MR01070342	F4-06.21.01	Water pump housing	1	1	6BX-44311-00-00
13	MR010803390	F4-06.21.02	Water pump inner housing	1	1	6BX-44322-00-00
14	MR01020316BAG	F4-06.19	Water Pump Locating Pin	2	10	93604-18080-00
15	MR01050349BAG	F4-06.18	Gasket,water pump	1	2	6BX-G4315-01-00
16	MR01060332	F4-06.21.03.00	Impeller assy	1	1	6E0-44352-00-00
17	MR01080328	F4-06.17	Plate,water pump	1	1	6BX-44323-00-00
18	MR01060331BAG	F4-06.15	Rubber seal strip	1	2	
19	MR0104407BAG	GB9074.1 M6*25	Hexagonal bolt & flat gasket assy M6*25	1	10	
20	MR01050337	F4-06.01.04	Bearing	1	1	6E0-45317-09-00
21	MR092201010319	F4-06.14	Water pump base	1	1	68D-G5321-00-00
22	MR01050348BAG	F4-06.13	Gasket,water pump base	1	2	68D-G5315-A0-00
23	MR0104189BAG	GB91 2.5x20	Cotter Pin 2.5*20	1	10	91490-25030-00
24	MR01020318	F4-06.26	Slot Hex Nut M8	1	1	6L5-45616-00-00
25	MR0104165BAG	GB96.1 M8	Flat gasket	1	10	90201-08M54-00
26	MR01010710	F6-06.00.00.01	Propeller(7-1/2*8)	1	1	6E0-45949-00-EL

	MR030313	F6-06.00.00.00	Propeller Assy.	1	1	6E0-45941-01
27	MR01060334	F4-06.25.02.00	Propeller Internal Spine Assy	1	1	
28	MR01020317	F4-06.24	Propeller pad	1	1	68D-G5987-00-00
29	MR0104404BAG	GB9074.1 M6*16	Bolt	2	10	
30	MR092201010318	F4-06.07.01	Cap,lower casing	1	1	68D-G5361-00-4D
31	MR01060330	F4-06.07.03	O ring,lower casing (47.5*3.5)	1	1	93210-48214-00
32	MR01080325BAG	F4-06.05	Gasket	1	2	67D-45576-00-00
33	MR01050344A	F4-06.06	Reverse gear	1	1	67D-45560-00-00
34	MR01050534	F9.9-06.00.00.15	Bearing 6004C2	1	1	93306-004YH-00
35	MR01050345	F4-06.07.02	Oil Seal 22*13*7	2	1	93101-13M12-00
36	MR01020343BAG	F4-06.04.04	Gear shift plunger	1	2	67D-45635-00-00
37	MR01050340	F4-06.04.01	Propeller shaft	1	1	68D-G5611-10-00
38	MR01050342	F4-06.04.03	Dog clutch	1	1	67D-45631-01-00
39	MR01090341BAG	F4-06.04.02	Compression spring	1	2	90501-120A9-00
40	MR0104179CBAG	GB896 6	Circlip	1	10	67D-15744-00-00
41	MR01050346A	F4-06.08	Driving wheel	1	1	6BX-45551-00-00
42	MR01080326BAG	F4-06.09	Adjuster,driving wheel	1	5	
43	MR01050347	F4-06.11.01-S	Drive shaf(S)	1	1	68D-G5511-00-00
	MR01050354	F4-08.04-L	Drive shaf(L)	1	1	
44	MR01020319BAG	F4-06.11.03	Stop pin,drive shaft	1	5	93604-09066-00
45	MR01090316BAG	F4-06.11.02	Circlip	1	10	90467-08M01-00
46	MR01050339A	F4-06.03	Forward gear	1	1	67D-45570-00-00
47	MR01050534	F9.9-06.00.00.15	Bearing 6004C2	1	1	93306-004YH-00
48	MR01090318	F4-06.12.00-S	Gear shift cam lever (S)	1	1	6BX-G4150-00-00
	MR01090320	F4-08.06.00-L	Gear shift cam lever (L)	1	1	
49	MR0104192BAG	GB879 2.5x20	Pin (2.5*20)	1	10	
50	MR092201010316	F4-06.01.01	Lower casing	1	1	68D-G5311-00-4D
51	MR0104008BAG	GB5783 M6x12	Hex Head Bolt M6*12	1	10	
52	MR0104155BAG	GB861.1 M6	Washer,inner gear	1	10	
53	MR01010317	F4-06.02	Anode	1	1	68D-G5251-00-00
54	MR01020128BAG	15F-06.01.03	plug,straight screw	3	2	90340-08002-00
55	MR01080139BAG	15F-06.01.04	Gasket	3	10	90430-08020-00
56	MR0104158BAG	GB848 M6	Flat pad 6	2	10	
	MR030530	F6(S)	Lower Casing Assy.	1	1	
	MR030531	F6(L)	Lower Casing Assy.	1	1	

12. Аксессуары

NO.	КОД MR	КОД OEM	НАИМЕНОВАНИЕ	ШТ	УПАКОВКА	Yamaha
1	MR01020128BAG	15F-06.01.03	thread plug, straight screw	1	2	90340-08002
2	MR0104189BAG	GB91 2.5*20	cotter pin	1	10	
3	MR01060332	F4-06.21.03.00	impeller Assy.	1	1	36965-0210
4	MR01070168BAG	15F-09.01	emergency starting handle	1	2	
5	MR01070229	F15-08.00.00.00	fuel case Assy.	1	1	
6	MR01080139BAG	15F-06.01.04	thread plug seal gasket	2	10	90430-08020
7	MR01100103	15F-01.01.22	starter rope	1	1	
8	MR01100119	15F-08.01.06.00	Fuel Hose With Connector	1	1	
9	MR01100515	F9.9	toolkit	1	1	
10	MR01100707	F6-09.00.00.02	sleeve, spark plug	1	1	